

Instruction Sheet
Gravity Water Filter
Model GSS

Ceramic Engineering Making Water Safe to Drink Since 1827



ASSEMBLY INSTRUCTIONS AND OPERATION:

Remove the filter elements and parts from their protective packaging, checking each item against the diagram. Note: The number of elements supplied will depend on the type of unit ordered.

Extreme cleanliness is important. Wash hands before proceeding. Assure that contamination of the components does not take place during assembly.

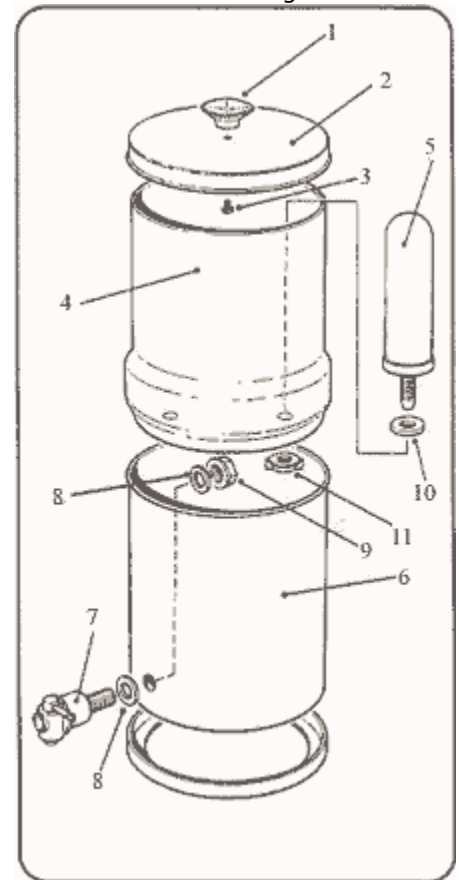
Fit the knob (1) onto the lid (2) by inserting the screw (3) up through the hole in the lid and screwing on the knob. Hand tighten only. Place the large sealing washer (10) over the threaded part of the element (5). Place the element (5) into the hole in the base of the upper chamber (4). Secure element in the chamber base by screwing on the wing nut (11) onto the threaded mount. Repeat #5 & #6 until all elements have been installed. Place one small washer (8) onto the threaded part of the outlet spigot (7). Insert thread of spigot (7) through hole in the side of the lower chamber (6). Place the second small washer (8) over the thread within the chamber and secure in place with the nut (9). Tighten securely by hand only. Put the upper chamber (4) onto the lower chamber (6) and place lid (2) in position. Ensure that the spigot (7) is in the "OFF" position.

CONDITION FILTERS: Fill upper chamber (4) with cold water and cover with lid (2). Allow all water to gravity filter into lower chamber. Open the spigot to allow all water to run to waste. Allow filters to stand unused overnight. Refill upper chamber again with water, let it filter for one hour then open spigot for two minutes and allow water to run to waste. The British Berkefeld® water filter is now ready to use. **Note:** With unconditioned (first time use) candles filtration time will be considerably longer.

Note: If the filters are left to stand for more than 3 days, then it is recommended that water be run to waste for 1 minute before using. When installing filter elements for the first time or replacing a used element with a new one, it is important to condition the new filters using the above procedure. Replace the candle once per year to ensure optimum quality drinking water. The ceramic shell contains small amount of pure silver eliminating the need for hot water sterilization. Cleaning instructions are supplied with each candle.

DISINFECTION OF THE LOWER CHAMBER, SPIGOT AND CANDLES

NOZZLE: Fill the chamber with water to the rim. Add 2 spoonful of household bleach or peroxide and stir the water. With the candles installed set the upper chamber on top forcing some water to overflow then let it stand for an hour. Open spigot for couple of minutes and discard the rest. Fill the upper chamber again and let it filter all of it. Open spigot for few minutes and discard the filtered water. This procedure should be performed periodically and or contamination is suspected.



If you accidentally drop the candle and did not brake to ensure the integrity do the following test.

1. First the candle needs to be air dried for at least 24 hours.
2. Submerge it into water container while holding a finger over the outlet to keep the air inside.
3. If there is a crack the trapped air would exit through it and you would see bubbles indicating replacement.

Doulton and British Berkefeld filters are manufactured in England by FICL.

Sold by: Doulton USA Tel. Toll free in USA, Canada, Puerto Rico and US V.I. 1-888-664-3336 all other regions +1-248-258-5500 • Fax: 248-258-6977 • Email: info@doultonusa.com • www.doultonusa.com