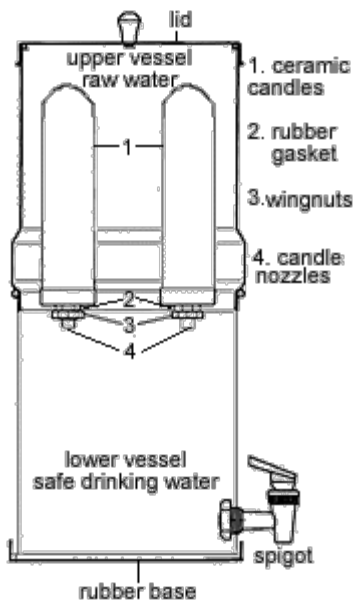


Installation Instructions of Specialties Elements for Gravity Filters



Assemble ceramic candles in the upper chamber as per supplied instructions:

http://doultonusa.com/doulton_water_filters/GSS-Gravity-filter-instructions.pdf

On the underside of the upper chamber install 2"x4" specialties elements as follows:

1- Screw in gray couplings (5) onto the ceramic candles nozzle (4). Hand tight only.

2- Screw in specialty elements (6) onto the other end of the couplings (5)

To properly condition the ceramic and specialties candles allow minimum of 24 hours contact time with water. Always discard the first batch of filtered water. If you have any further questions contact us at info@doultonusa.com.